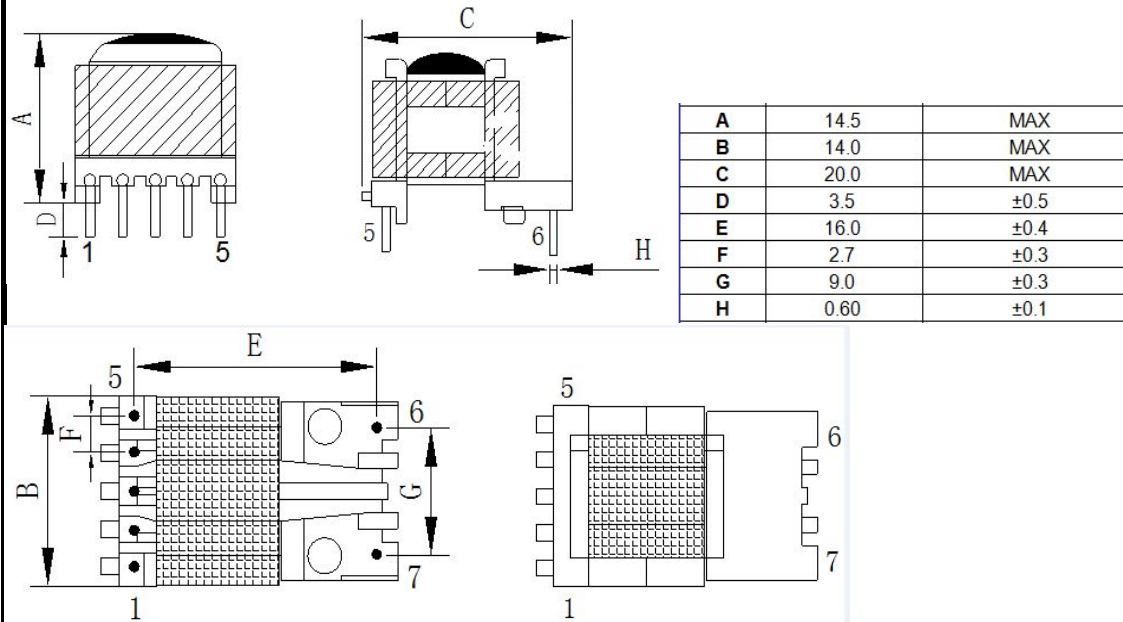
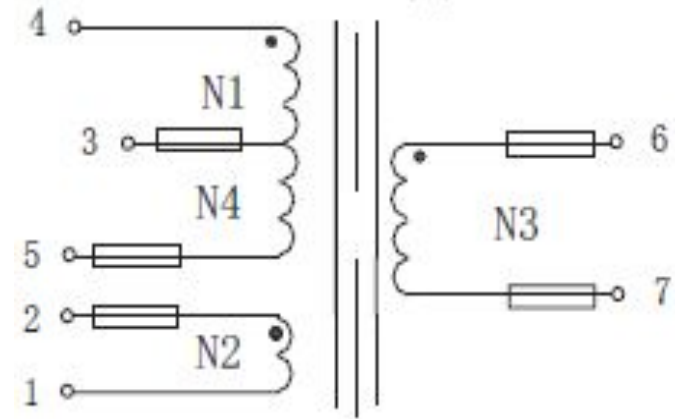


CUSTOMER TERMINAL	ROHS	Lead(Pb)-free
	YES	YES

1. Mechanical Dimensions



2. Schematic Diagram



3. Material List

Core:FW40 EE13
 Bobbin:FWB1413(4+5PIN)
 Wire:2UEW TIW
 Operating Temperature: -30 to115 °C

4. Electrical Specification

Inductance:L(4-5):2.2mH±5% 100KHZ , 1V
 Leakage Inductance : 78uH MAX 100KHZ , 1V
 DCR:(4-5)=10.68Ω Max
 Hi-Pot:P-S: AC 60Hz 4000V 2.0mA 3S
 coil-core:AC 60Hz 500V 2.0mA 3S

REV.	DATE	 Convention Placement	DRW.	Drawing Title:	Part No:		
0	00/00		CHK.			TRANSFORMER	FWPTEE13H222J
			APP.			Customer P/N	Specification Sheet 1of 1

ROHS

www.ferriwo.com